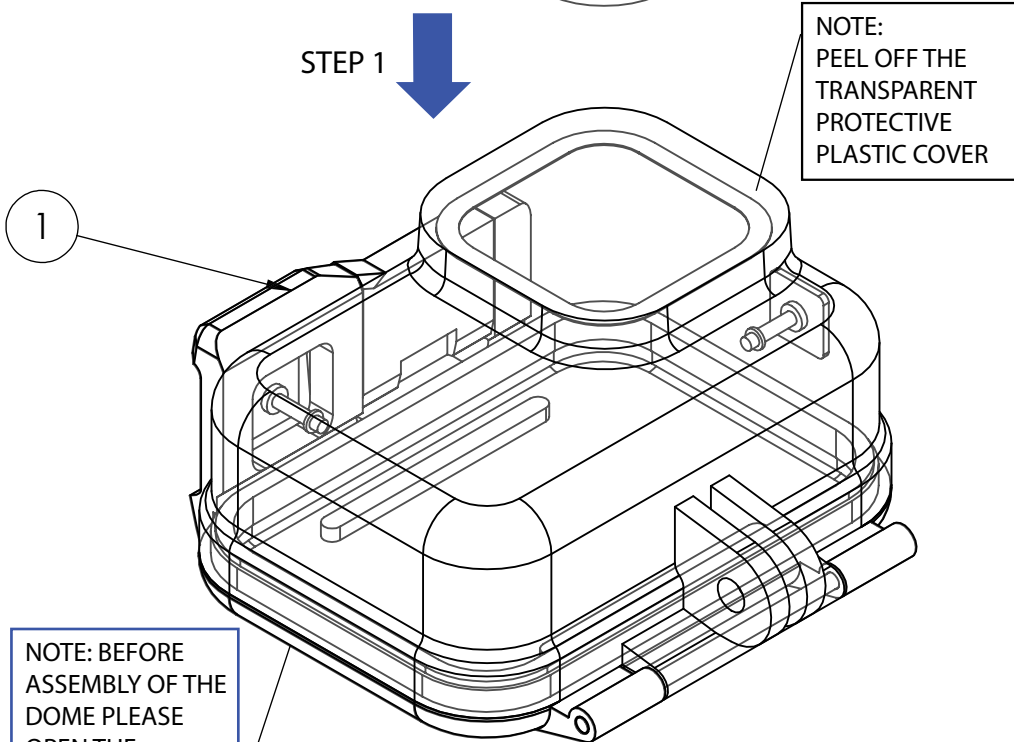
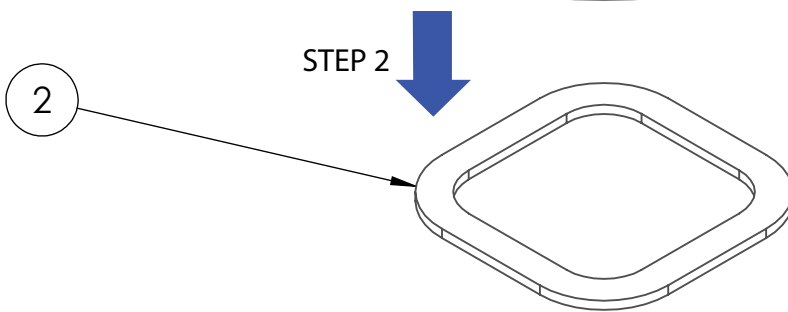
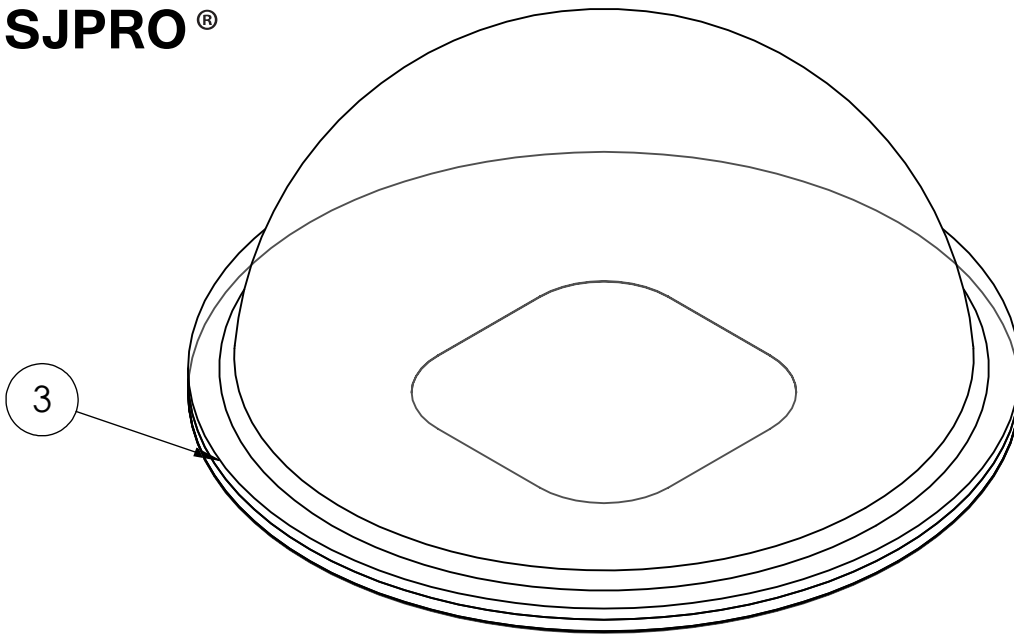


SJPRO®



NOTE: BEFORE ASSEMBLY OF THE DOME PLEASE OPEN THE WATERPROOF CASE AND CLOSE BACK

PATENT PENDING 17/934,694