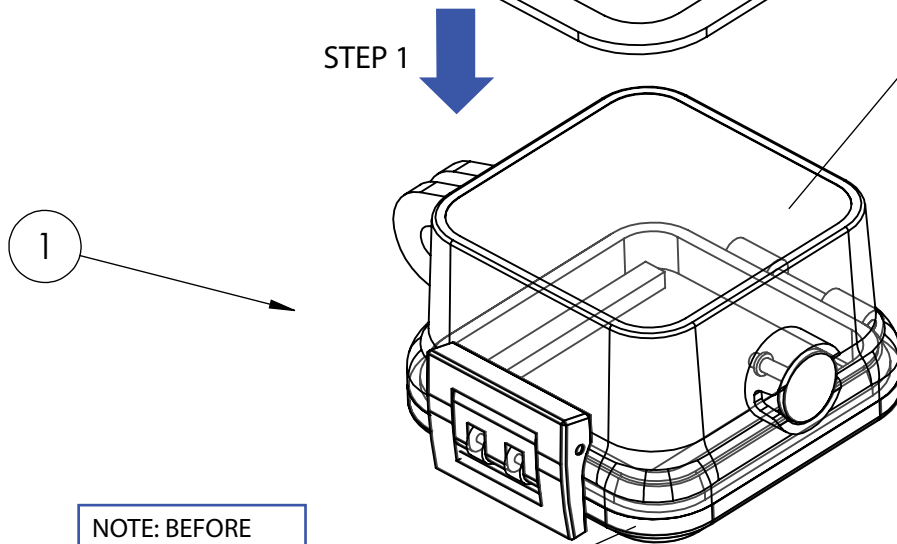
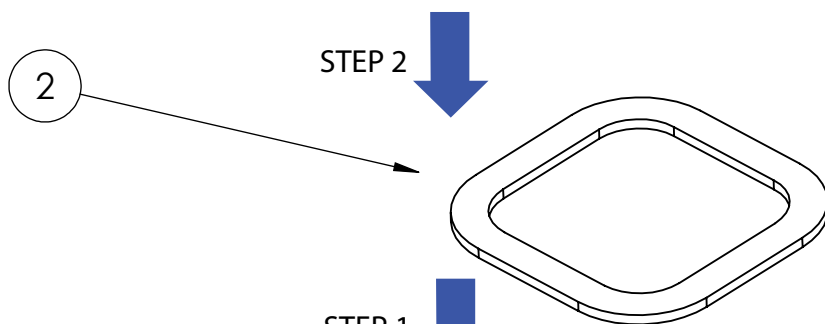
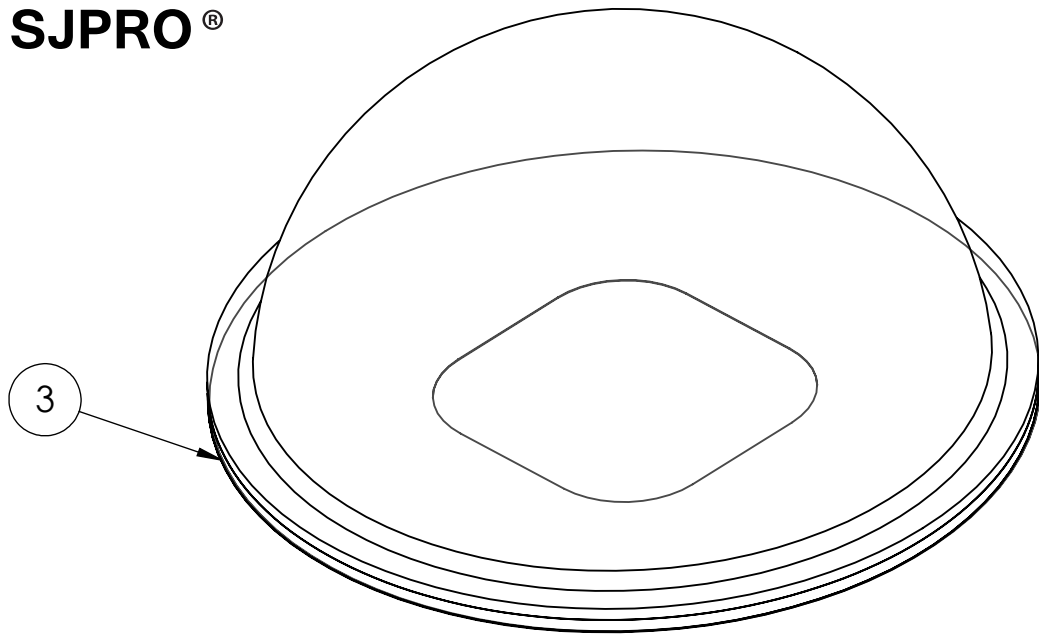


# SJPRO®



NOTE:  
PEEL OFF THE  
TRANSPARENT  
PROTECTIVE  
PLASTIC COVER

NOTE: BEFORE  
ASSEMBLY OF THE  
DOME PLEASE  
OPEN THE  
WATERPROOF  
CASE AND CLOSE  
BACK