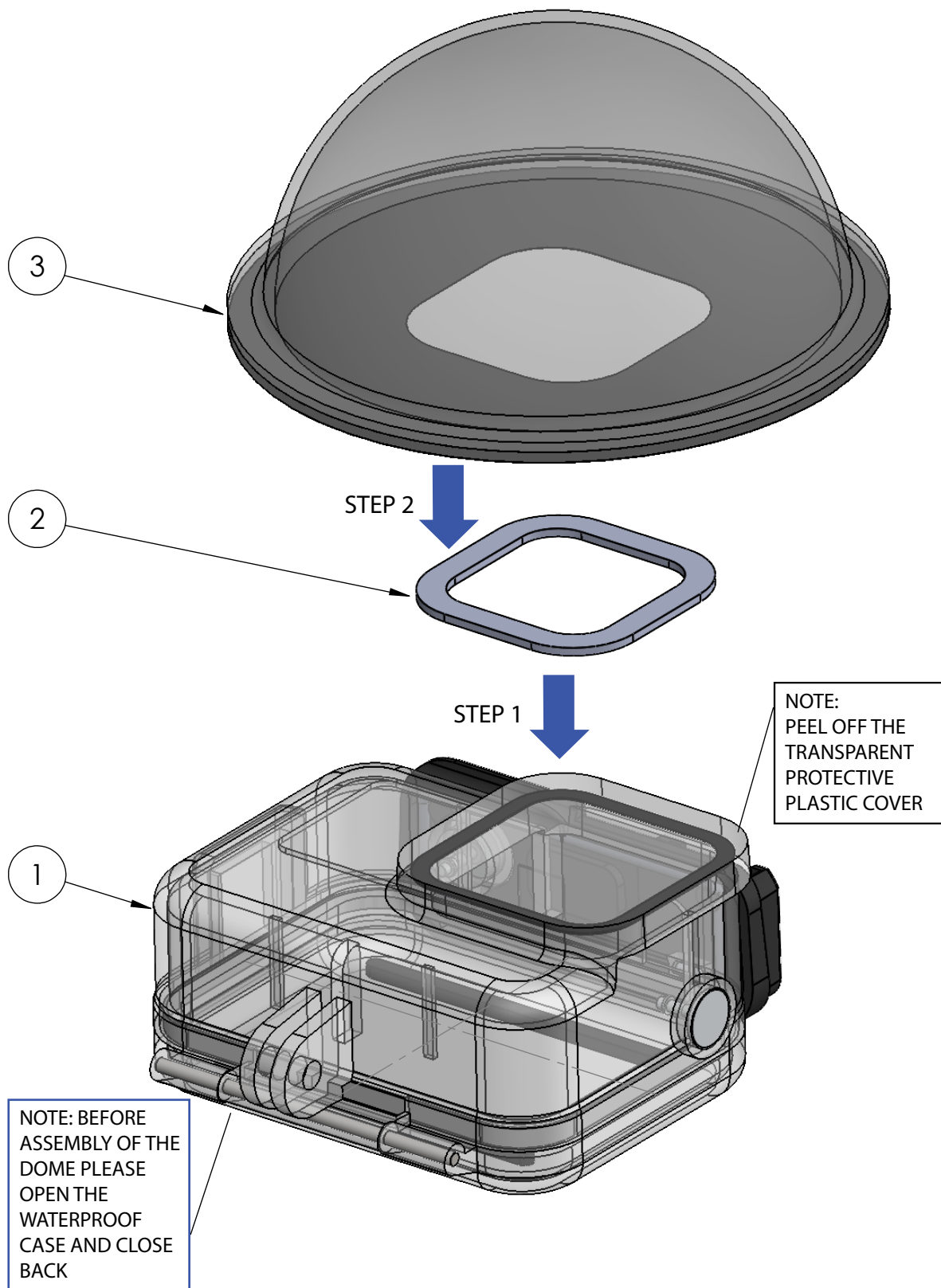


SJPRO®



PATENT PENDING 17/934,694
Insta360 Ace Pro